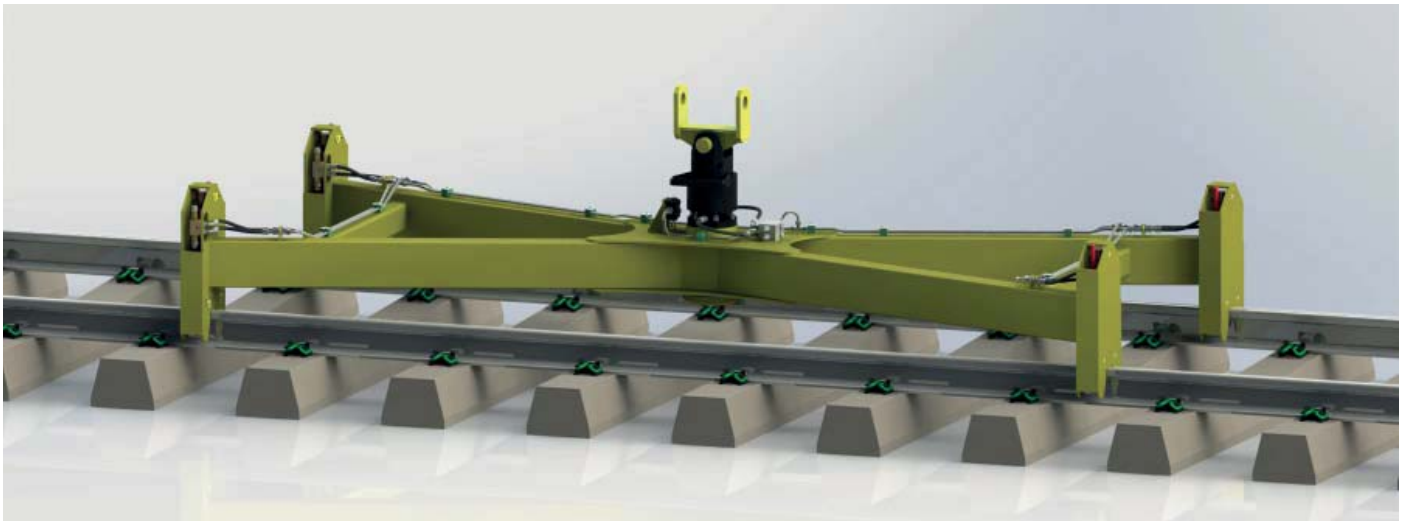


3.5 SPH12 SMALL PANEL HANDLER



Handling track panels up to 10m long and 6,000kg in weight is easily and quickly done using the Thomson Small Panel Handler.

At 4.5m long this beam minimises deflection of the panel.

Its heavy duty 10,000 kg capacity hydraulic rotator gives the operator precision control of the beam and load.

Each jaw unit incorporates a 'Red-Flag' indicator to alert the operator to the status of the jaws.

Like all Thomson products this beam is designed for long-term heavy-duty operation.



FEATURES

- Strong and Robust
- Fully protected hydraulic cylinder
- Fail-Safe Cam Mechanism
- Bronze bushes in jaws
- All Steel Welded Construction
- High Resistance to Dynamic Loads
- High Resistance to Abuse
- Built-in Pressure Control
- 6,000 kg WLL
- 10,000 kg Proof Load
- Minimises Panel Deflection
- Red-Flag indicators
- Full Factory Parts Backup
- CE Marked

A HEAVY DUTY PANEL BEAM FOR PLAIN LINE PANELS UP TO 10M LONG

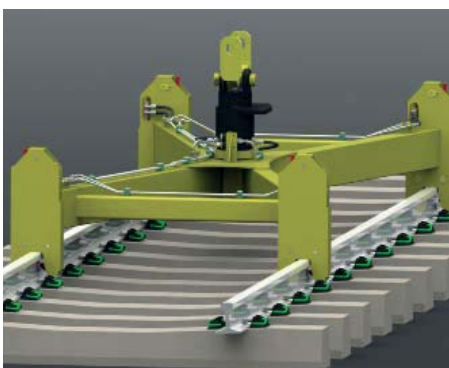
SPECIFICATIONS

Weight (typical)	590 kg
Rotator WLL	10,000 kg
WLL (Safe Working Load)	6,000 kg
Proof Load (Factory test)	10,000 kg
Mechanism	Cam Operated
Indication	'Red Flag' Indicator
O/A Height	650 mm
O/A Width	1,900mm
O/A Length	4,600 mm

Max. Hyd. Pressure	210 Bar
Min. Hyd. Pressure	90 Bar
Body Colour	08E51 Yellow
Moving Parts	Signal Red

DOCUMENTATION

Operator's Manual
Parts Manual
Maintenance Plan
LOLER Test Certificate



BENEFITS

- Cam mechanism means no linkage to jam.
- Fully enclosed mechanism means reduced damage
- High strength means the device will withstand the heavy duty use associated with modern RRV's



OPTIONS AND ORDERING INFORMATION

The SPH12 Small Panel Handler is available for standard and narrow gauge track panels.

The device is available with our full range of adapter head systems to suit any host machine.



Example: SPH12-01-03 Small Panel Handler for standard gauge track with hydraulic rotator and one-pin adapter head

LONDON UNDERGROUND APPROVAL

This product has been approved for use on London Underground work sites

MODEL NUMBERS FOR ORDERING

When ordering this product please use the ordering code below to specify the correct options

SPH12-□□-□□

Handler Type	Code
Standard Gauge	01
1000mm Narrow Gauge	02

Adapter Type	Code
Beam with flange only	00
Fixed head for swivel hook	01
Swivel head for fixed hook	02
Rotator + 1 pin head	03
Rotator + 2 pin head	04
Archimedes / QC adapter head	05
Rotator + truck crane adapter	06
Special Adapter	07

NOTE

When ordering adapter heads we will need to know the dimensions of your host machine.

Please see Section 10 for details of the dimensions we require for each type of adapter head.

See Section 10 for adapter types and details