



THOMSON ENGINEERING DESIGN LTD

Rail Barrier System

Instructions for use

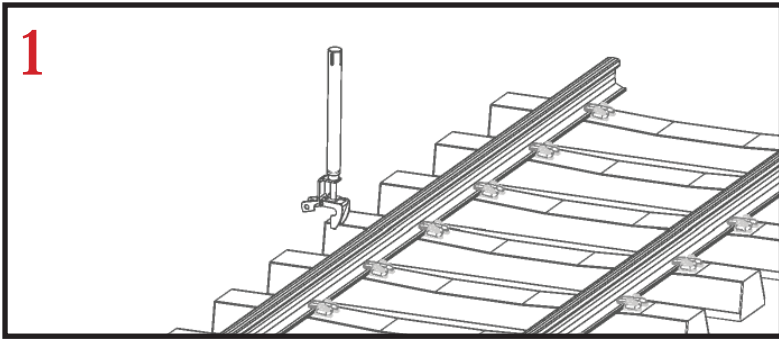


Thomson Engineering Design Ltd
Valley Road
Cinderford
Gloucestershire
GL14 2NZ

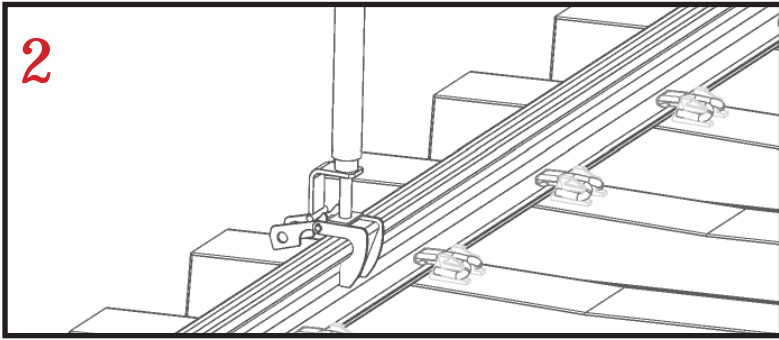
Tel: +44 (0) 1594 82 66 11
Fax: +44 (0) 1594 82 55 60
Email: sales@thomsondesignuk.com

copyright 2012 Thomson Engineering Design Ltd all rights reserved

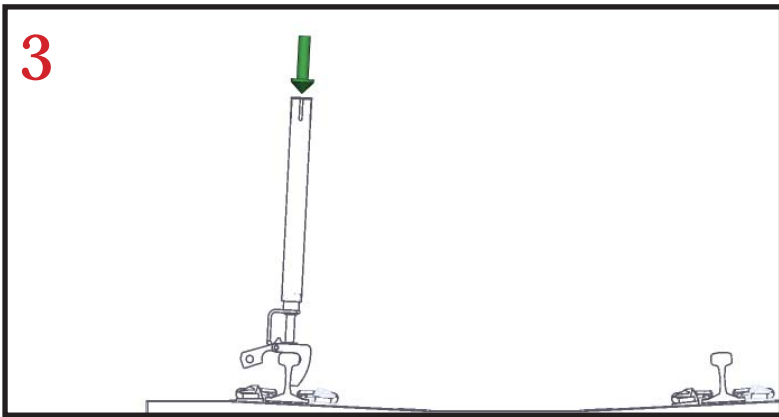




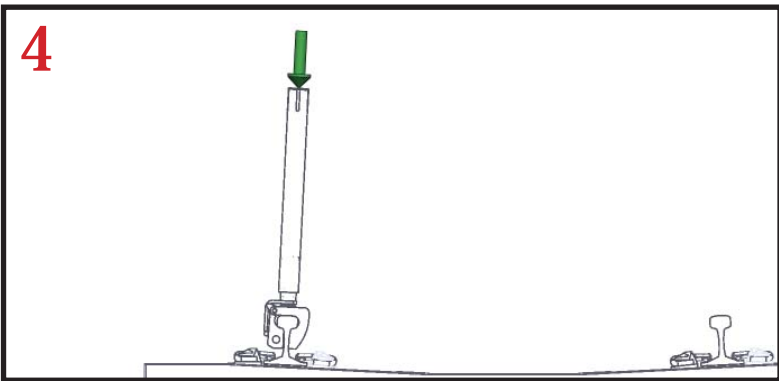
Hold the top of the post and align the base with the rail as shown.



Fit the post to the rail ensuring that the grab rests on the head of the rail.

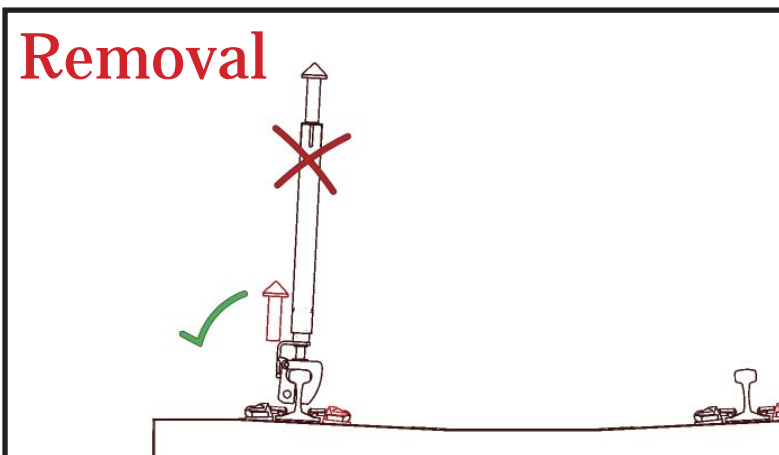


Press down on the top of the post to close the clamp. Wobble the post slightly if the clamp is stiff to engage.



When the clamp is closed the post fitting is complete!

Pull out the yellow and black barrier tape and secure to the next post to form a barrier.



Removal

Reverse the fitting instructions above to remove the post from the rail but, to release the clamp:

Lift on the steel plate NOT on the plastic post.