

# SM15-01 STEELWORK MANIPULATOR

## Technical Bulletin



Grease Nipple Conversion

Issue 1

June 2017

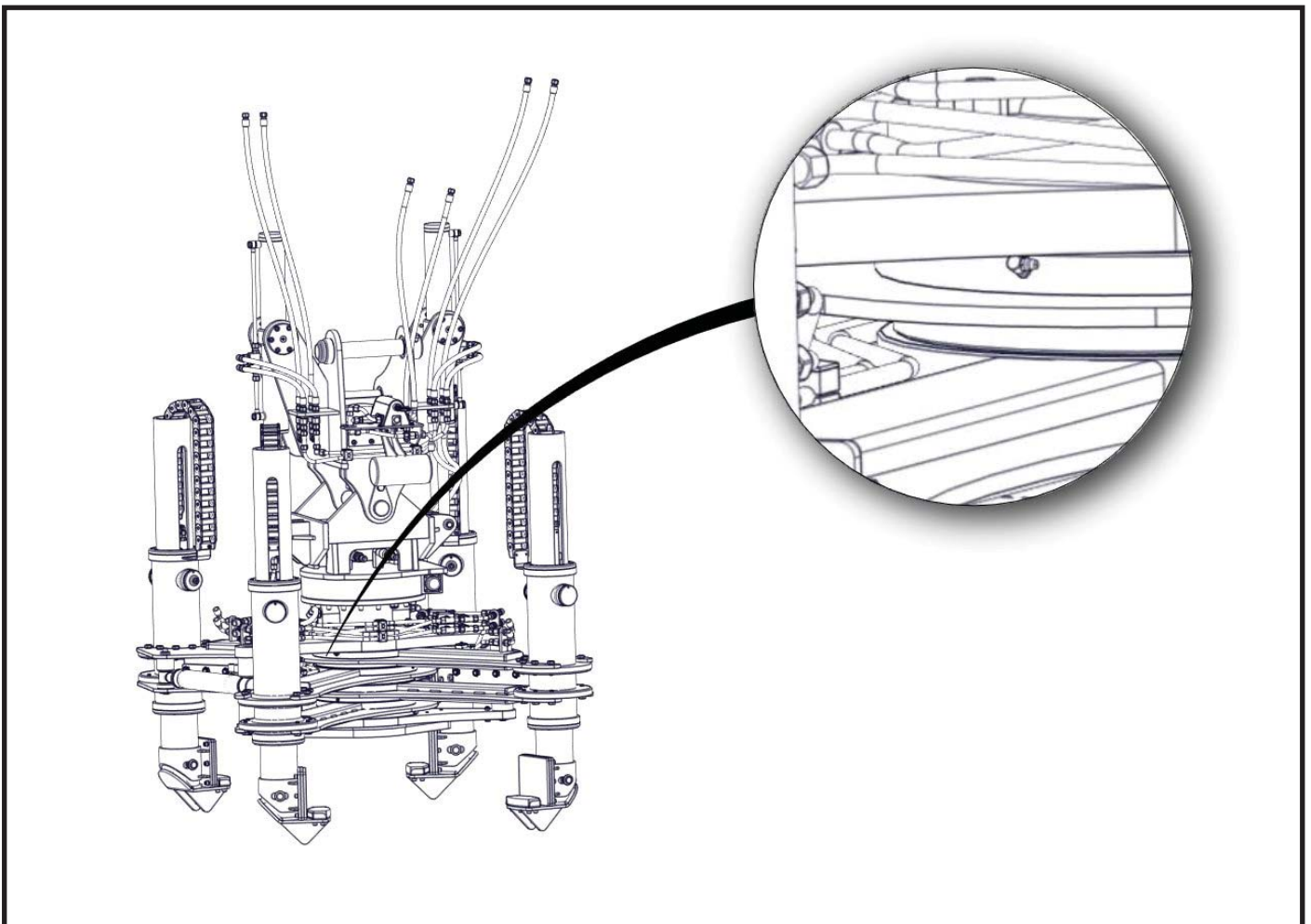


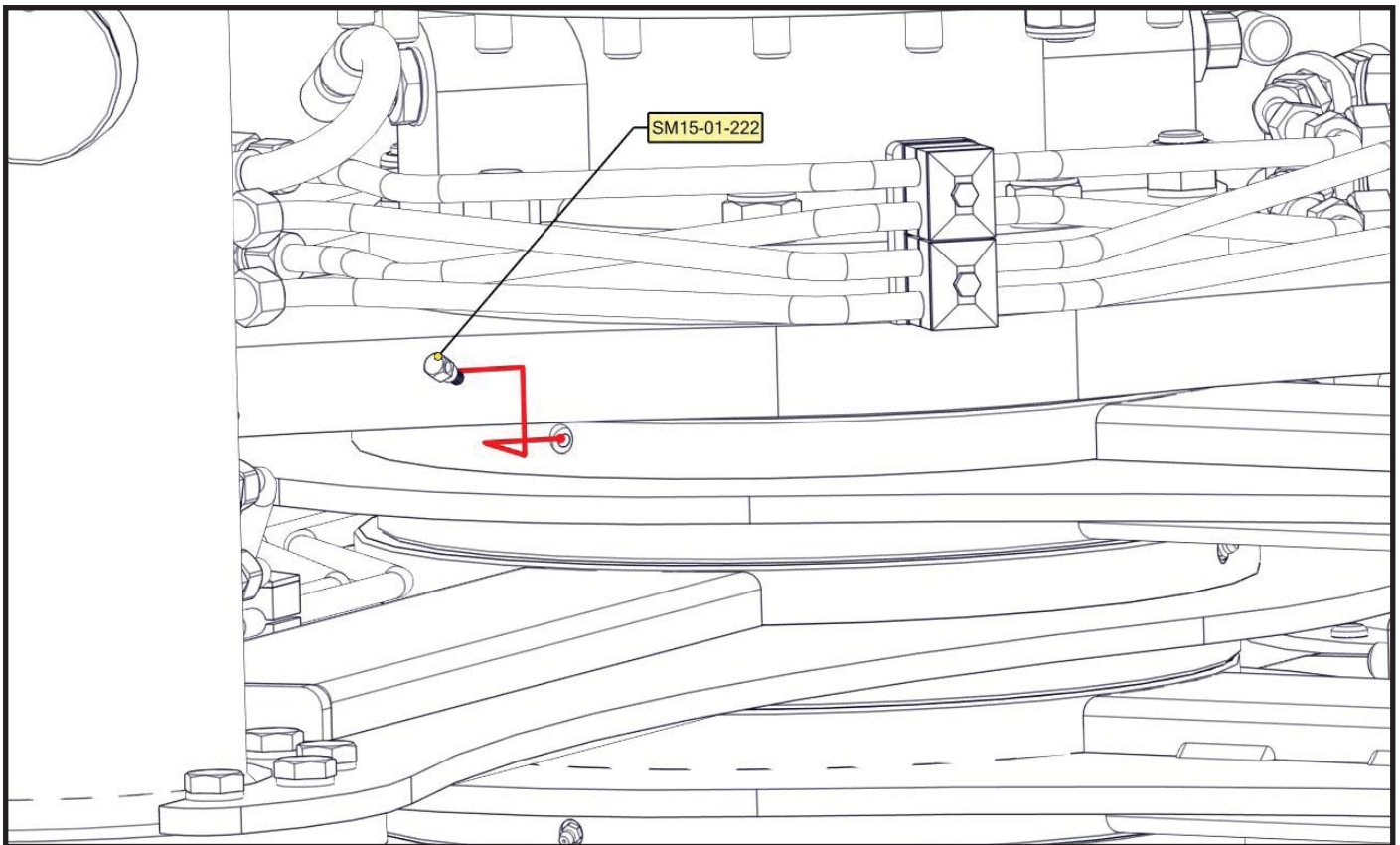
# Introduction

*A number of users have highlighted difficulties in greasing the main shaft of the SM15-01 Steel Manipulator due to the orientation of the top and bottom grease nipples. This technical bulletin gives details of a small modification which may be carried out in order to overcome this issue.*

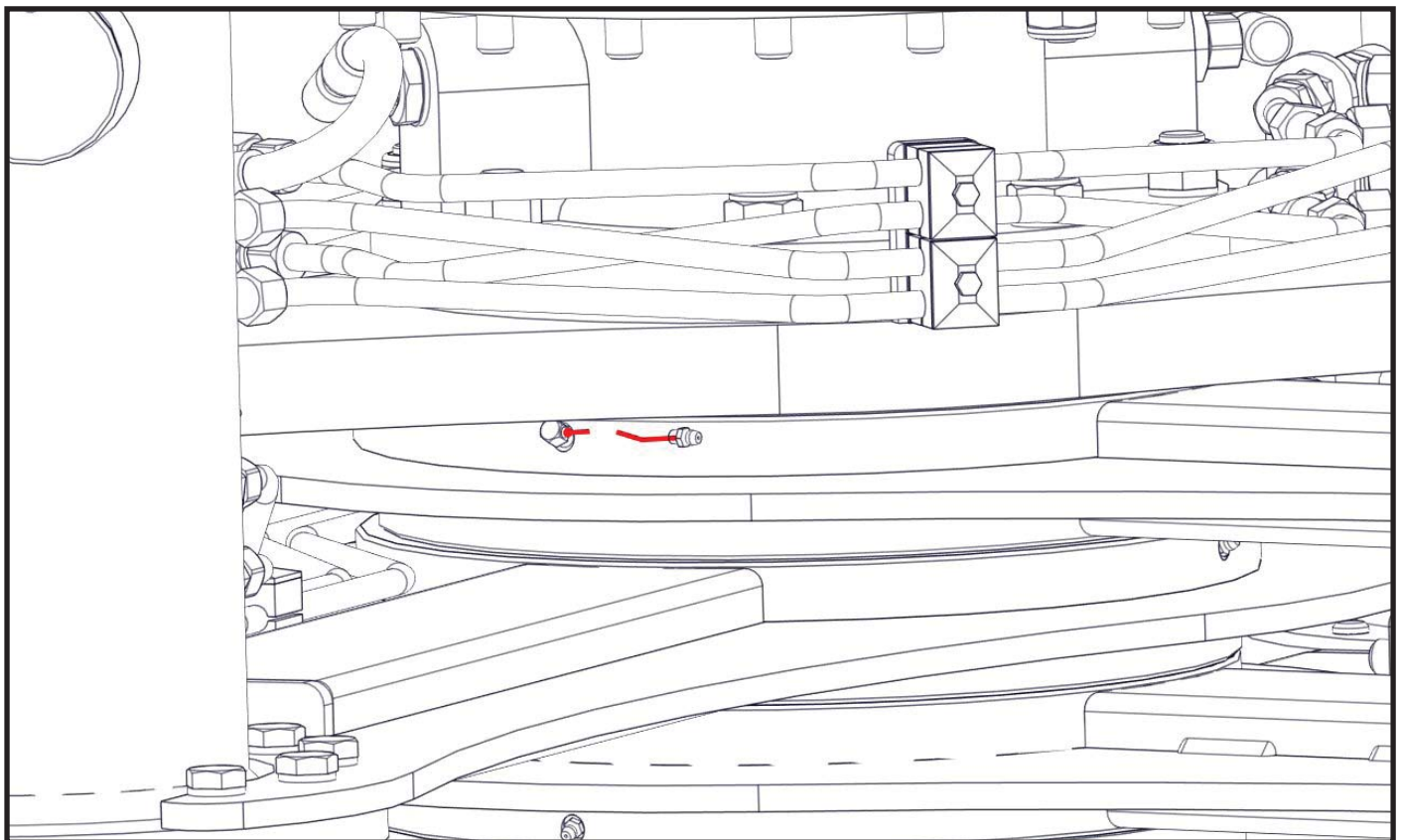
A new part, item number SM15-01-222, is fitted between the grease nipple and the housing to turn the grease nipple 90 degrees and make it easily accessible with most grease guns.

The installation takes just a few minutes and requires a 10mm spanner only.

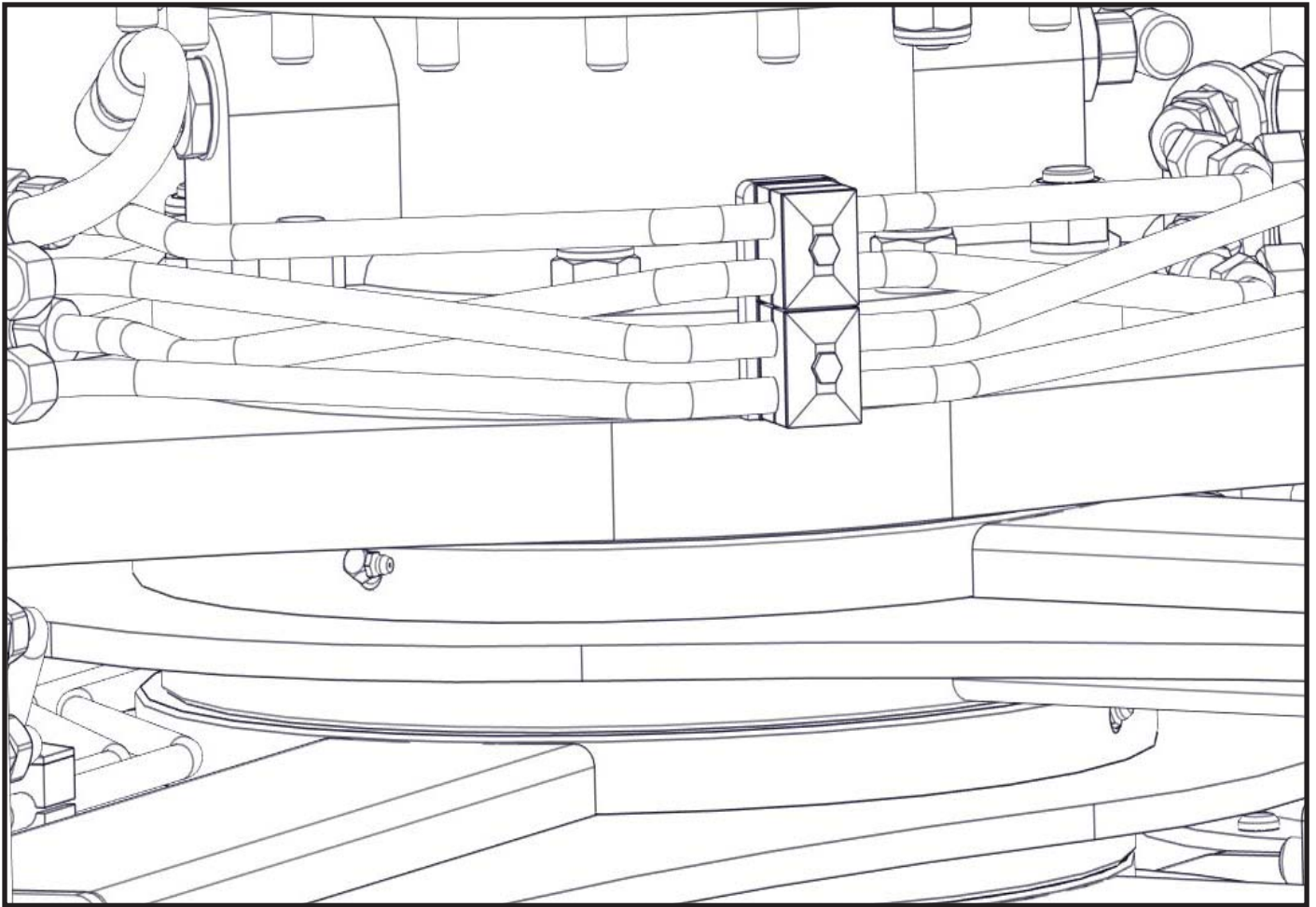




**1) Remove the grease nipple and screw in adapter part number SM15-01-222. Screw the adapter in until the thread begins to bind and the side port on the adapter is horizontal.**



**2) Fit the grease nipple into the side port of the adapter.**



**3) Completed assembly.**

# Contact Details

*All technical and sales enquiries should be directed to Thomson Engineering Design.*

**Thomson Engineering Design Ltd  
Valley Road  
Cinderford  
Gloucestershire  
UK  
GL14 2NZ**

**Tel: +44 (0) 1594 82 66 11**

**Fax: +44 (0) 1594 82 55 60**

**Email:    [sales@thomsondesignuk.com](mailto:sales@thomsondesignuk.com)  
              [technical@thomsondesignuk.com](mailto:technical@thomsondesignuk.com)**

## **PLEASE NOTE**

Whilst every care is taken to ensure that the contents of this document are true and accurate, the specifications of our products and the scope of our services are constantly changing as part of our policy of continuous improvement.

We strongly recommend contacting the factory to ensure that details given are still current.

More than half our business comes from special products designed and built as one-off's and we are always pleased to discuss amended specifications should the product detailed here not meet your exact requirements.

